

Dimming module

0-10V dimming signal compatible

Add dimming function for Type B or Type A+B tube.

Work with 0-10V dimmer as dimming control system.

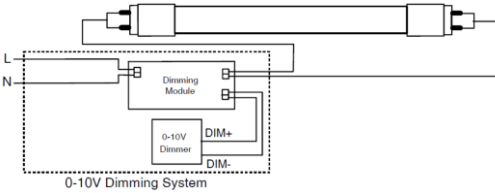


FEATURES AND BENEFITS

- Compatible products: CLT97 T8/T5 A+B or B LED Tube.
- Meet DLC 5.1 requirement.
- Can load one or more lamps, one module can load Max, wattage is 100W.
- 5 Year warranty

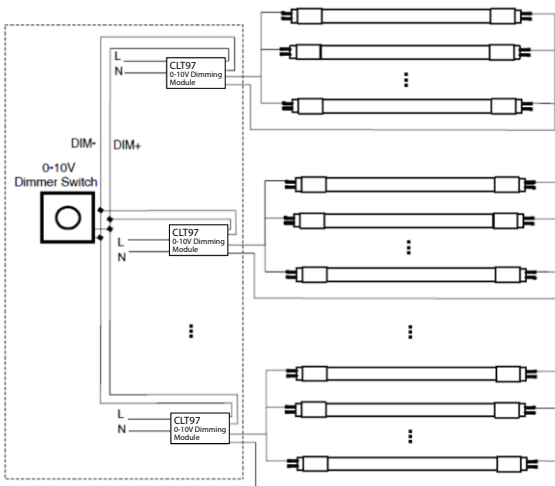
WIRING DIAGRAM:

*Load with 1 lamp:



Voltage Input: AC120-277V 50/60Hz

*Load with multiple lamps



0-10V dimming control system

Voltage Input: AC120-277V 50/60Hz

PRODUCT SPECIFICATIONS	
Model No.	CLT97-100WDIM
Body	Metal
Input Voltage	120-277Vac,50/60hz
Power Factor	>0.9
Dimming	0-10V signal compatible
Input Current	Max. 1000mA
Input Wattage	Max. 100W
Output Wattage	Max. 95W
Efficiency	Max. 95%
Lifetime	50,000 Hours
Warranty	5 Years
Environmental Requirements	Operation temp:-20° to 45°C Storage temp:-20° to 45°C Relative Humidity:45% to 85% Non-corrosive environments
Size	242*44*30mm 9.53*1.73*1.18 inch